

10.1" True Flat Display with Universal Housing for Custom Designs / OEM Solutions



Key Features

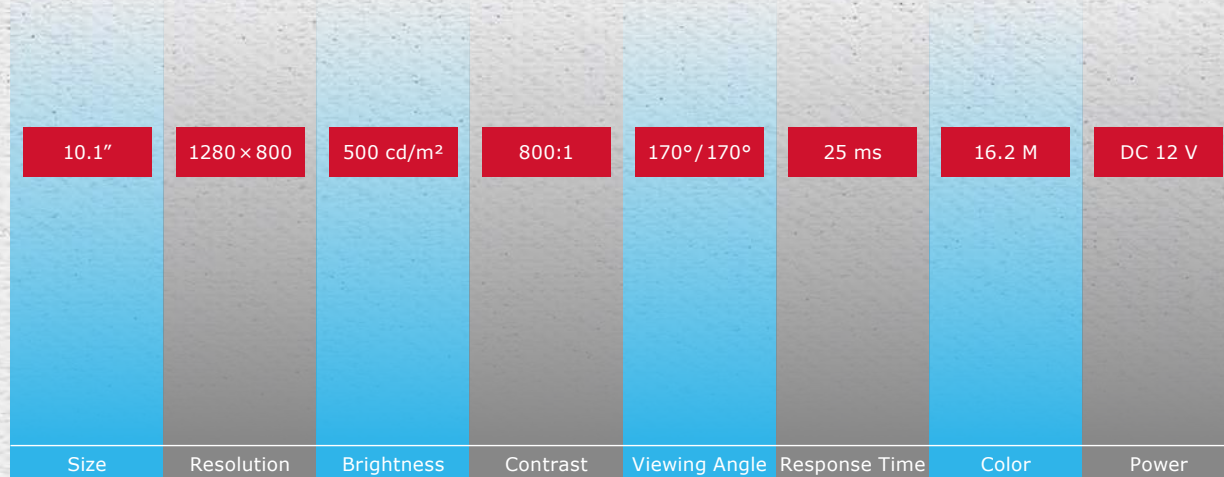
- True Flat design for easy cleaning and disinfection
- Multiple Inputs VGA, HDMI, DP
- Multi Touch (Projected Capacitive Touch with 10 point technology)
- Touch activation with finger or latex gloves
- Bright 500 cd/m² panel
- Ideal for medical applications as well as many other environments like industry, retail, ...



10.1"

Short Reference

10.1" True Flat Display



10.1" True Flat Display with Universal Housing for Custom Designs / OEM Solutions

Technical Data

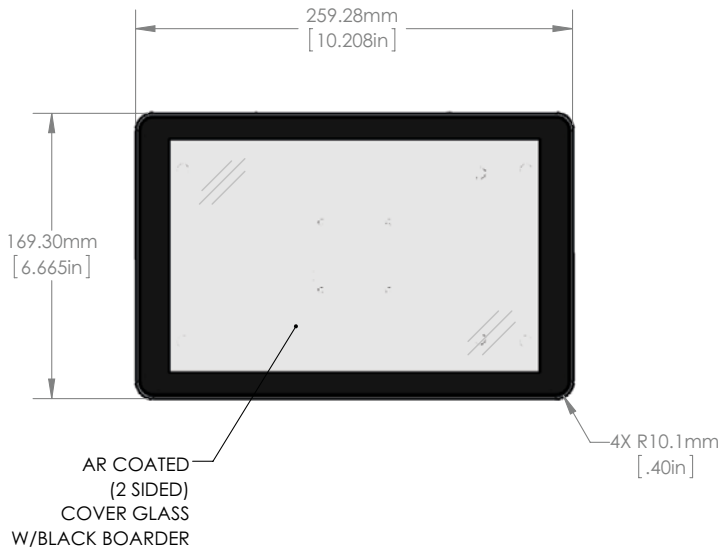
Model	10.1" True Flat Display
Size	10.1" / 25.7 cm
Aspect Ratio	16:10
Active Area (H×V)	216.96 × 135.60 mm
Resolution	1280 × 800 / WXGA
Pixel Pitch	0.1695 mm
Display Colors	16.2 M
Response Time	25 ms
Brightness	500 cd/m ² typ. / 450 cd/m ² with touch
Contrast Ratio	800:1 typ.
Viewing Angle (H×V)	170°/170°
I/O Ports	HDMI, VGA, DP, DC, USB touch
Temperature Operating	+5 °C to +40 °C / +41 °F to +104 °F
Humidity Operating	20 % to 80 % (non-condensating)
Power Consumption	9 W
Power Supply	DC 12V
Dimensions (W×H×D)	259 × 169 × 34 mm / 10.18 × 6.66 × 1.34 in
Weight	1.11 kg / 2.45 lbs.
IP Protection	Complies with IPX2 front side
Misc.	Plastic housing, VESA 75, OSD control via the display
Touch	Projected capacitive touch, 10 point (HID compliant), USB, black passepartout print, clear surface
Options	Medical and industrial certifications like UL and CE Different housing and glass color, customer logo and firmware Protection shield (AR) instead of a touch screen HDMI & VGA & DP, Gamma support

Different Views

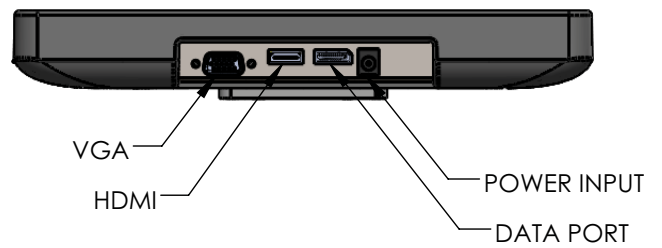


10.1" True Flat Display with Universal Housing for Custom Designs / OEM Solutions

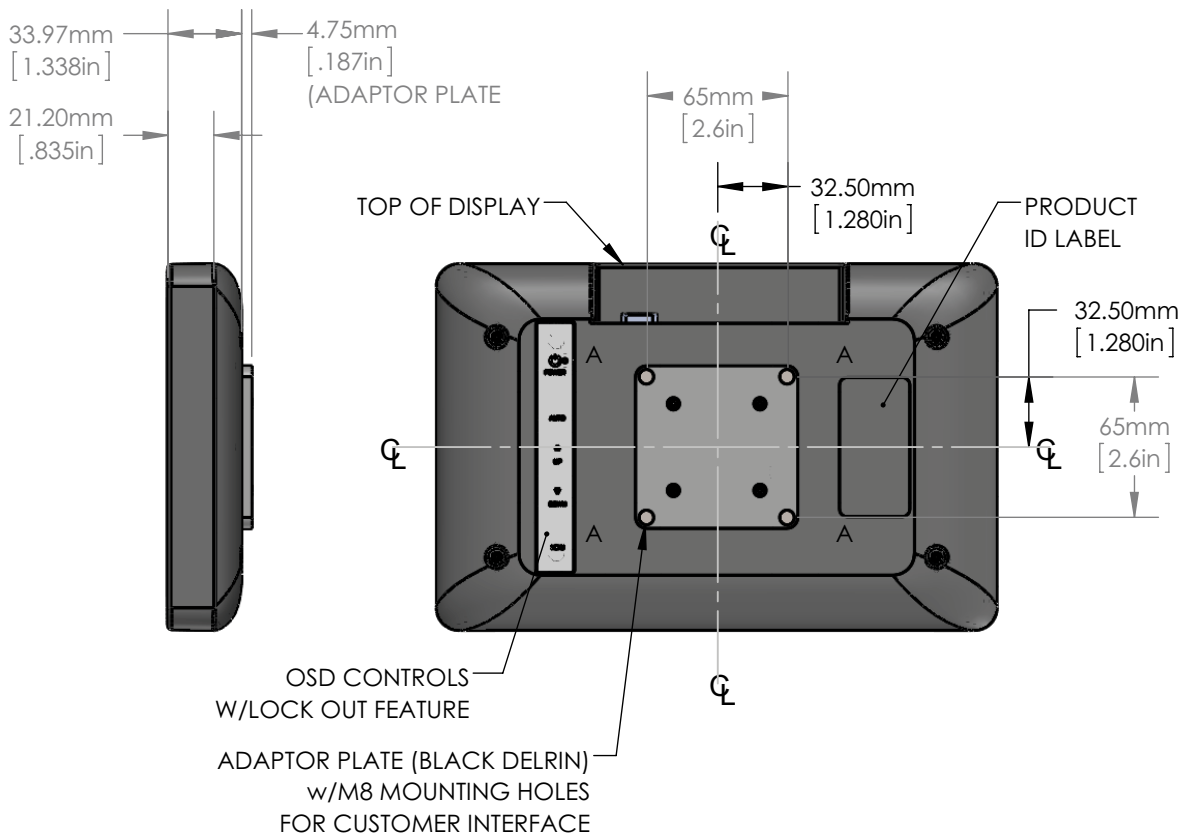
Drawings



Front view



View of I/Os



Side and rear view